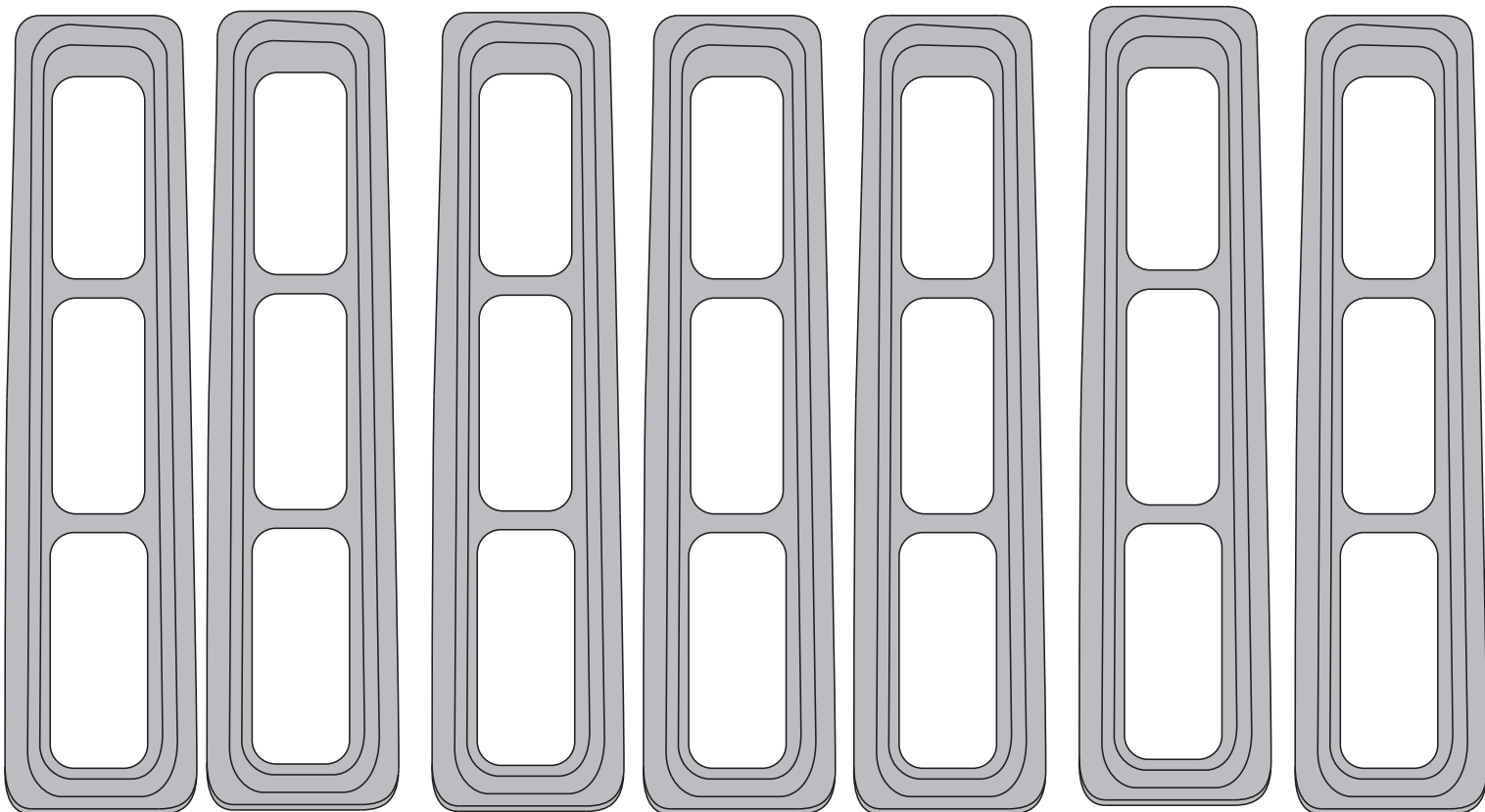




OMIX-ADA, Inc.

460 HORIZON DR. SUITE 100 | SUWANEE, GA 30024 | PHONE: 770-614-6101 | FAX: 770-614-6069 | info@omix-ada.com

# Grille Inserts for YJ/TJ



## Components

- (7) Grille Inserts:
  - 11306.01: Chrome, YJ
  - 11306.04: Black, YJ
  - 11401.01: Chrome with Billet, YJ
  - 11306.02: Chrome, TJ
  - 11306.03: Black, TJ
  - 11401.02: Chrome with Billet, TJ
  - 11401.03: Black with Billet, TJ

### OMIX-ADA® TECHNICAL SUPPORT

PHONE: M-F 8am - 5pm EST 1-800-449-6649 | EMAIL: techsupport@omix-ada.com

FOR WARRANTY INFORMATION VISIT: [www.Omix-Ada.com](http://www.Omix-Ada.com)

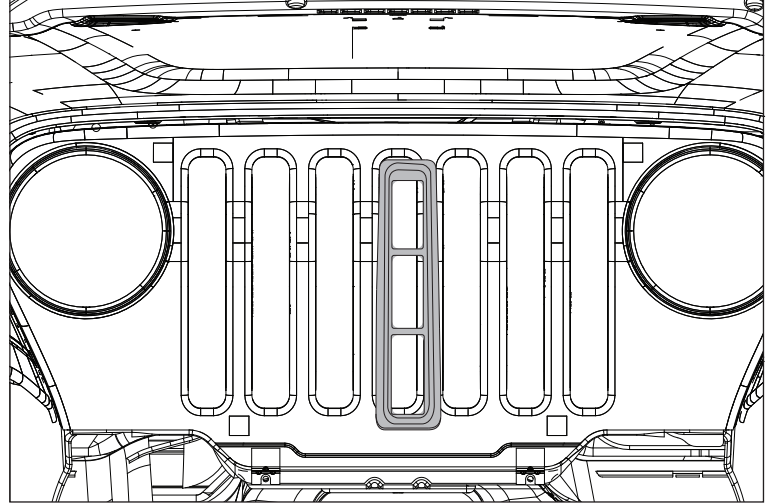


OMIX-ADA, Inc.

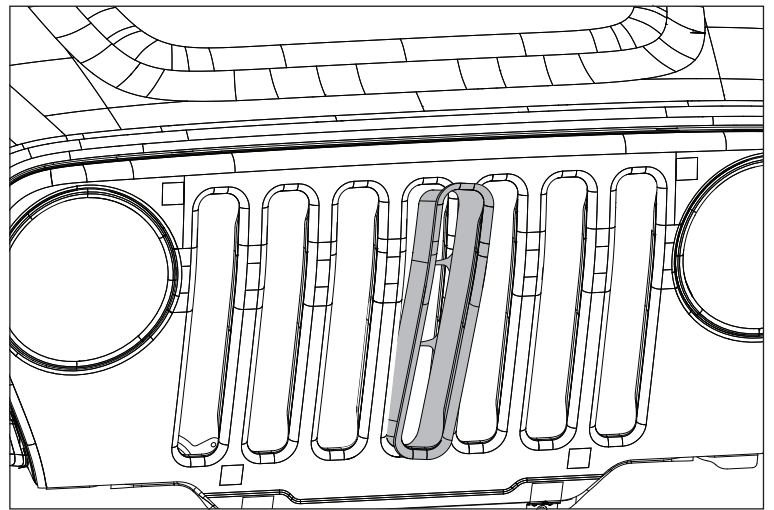
460 HORIZON DR. SUITE 100 | SUWANEE, GA 30024 | PHONE: 770-614-6101 | FAX: 770-614-6069 | info@omix-ada.com

## Grille Inserts for YJ/TJ

1. Ensure inserts are lined up with grille openings by matching angles of upper and lower portions of grille.



2. Insert lower portion of insert into grille opening.



3. Press lower retainers into grille shell and press top of insert until clipped into place.

**NOTICE** If insert does not clip into grille, squeeze top portion of insert while pressing until clipping occurs.

