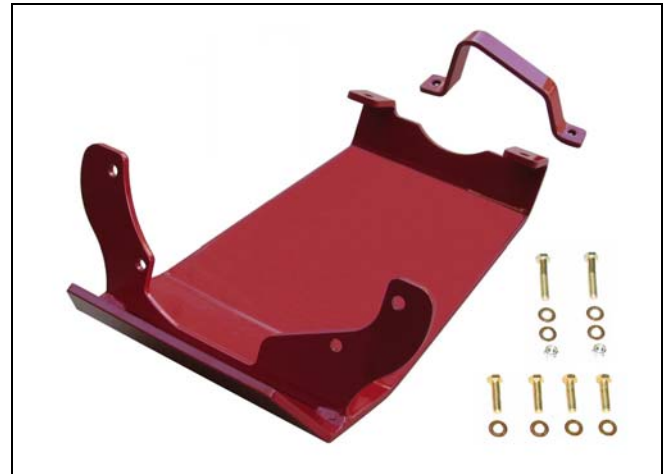


## DANA 44 FRONT GLIDE PLATE KIT RS6212

### Parts List

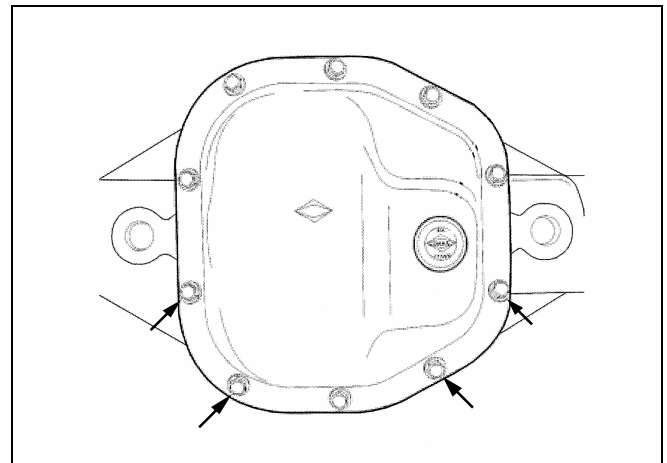
<u>PART NO.</u>	<u>DESCRIPTION</u>	<u>QTY.</u>
176530	Glide plate	1
176531	Pinion Strap	1
860607	Hardware Kit	1
	5/16-18 x 1.00 HHCS	4
	M8-1.25 x 55 HHCS	2
	M8-1.25 Nylock Nut	2
	5/16 SAE Washer	8
	Thread Lock	1
88612	Instruction	1



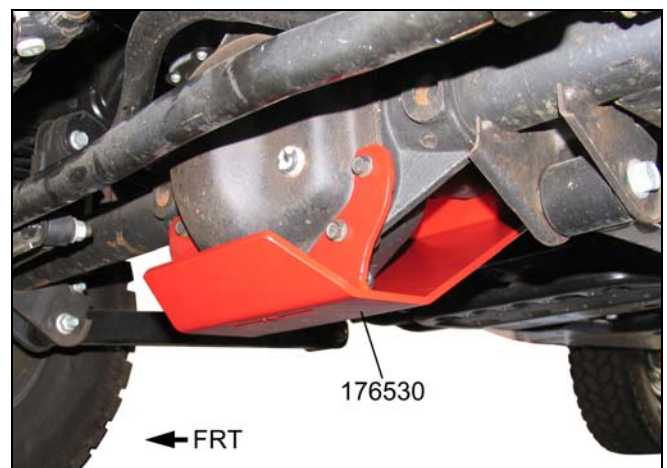
Illus. 1

**NOTE:** This glide plate will only fit Jeep Wranglers equipped with the Dana 44 front differential. To fit Rancho differential cover RS6209, modification to glide plate is required.

- 1) Remove four bolts from the bottom of the front differential. See illustration 2. Do not remove cover.
- 2) Attach glide plate 176530 to the differential cover with the supplied hardware. Apply thread lock and use the shorter bolts. See illustration 3.
- 3) Place pinion strap 176531 over the back of the differential. High side of strap should face the passenger side.
- 4) Attach pinion strap to glide plate with the supplied hardware (longer bolts).
- 5) Tighten all nuts and bolts to 30 ft. lbs. Inspect cover for fluid leaks periodically. If a leak is detected, remove and reseal cover per manufacturer's recommendations.



Illus. 2



Illus. 3