

Installation Instructions

Door Hanger™

Hang your Jeep doors safely with the Door Hanger. Read and follow the simple instructions for an easy installation. **If parts are missing or you need help, call Lange directly at 1-866-284-7428**

Tool Required

Drill
 Hammer
 1/4" Drill Bit
 Socket Set
 Screw Driver
 Tape Measure/pencil
 Level

What's Included		
Qty	Item	Part No.
1	Frame	1
2	Frame Arms	2
2	Foam Protectors	3
4	Screws	4
4	Lag Screws & Washers	5
2	1" End Caps	6

Installation Steps

Locate a suitable site to hang the Door Hanger. *Suggestion: Mount the Hanger in a safe location so that other activities will not damage doors. Mount the Hanger at eye height.*

After locating the approximate mounting spot, find two wall studs on 16" centers. Mark and test these studs for accurate position. If wall studs at 16" centers are not available, the Hanger may be mounted by using one stud and two large butterfly hangers (not included) to secure the opposite side. Concrete mounting requires suitable fasteners such as Rawl (not included) *Hint: If your unfamiliar with finding studs a here is a great article on the "Lowe's" website <http://www.lowes.com/lowes/lnk?action=howTo&p=Improve/findstuds.html>*

Hammer the end caps into the Frame Arms and Frame as shown in Figure 1. Place The Door Hanger in position and mark the mounting holes. Drill the holes and attach



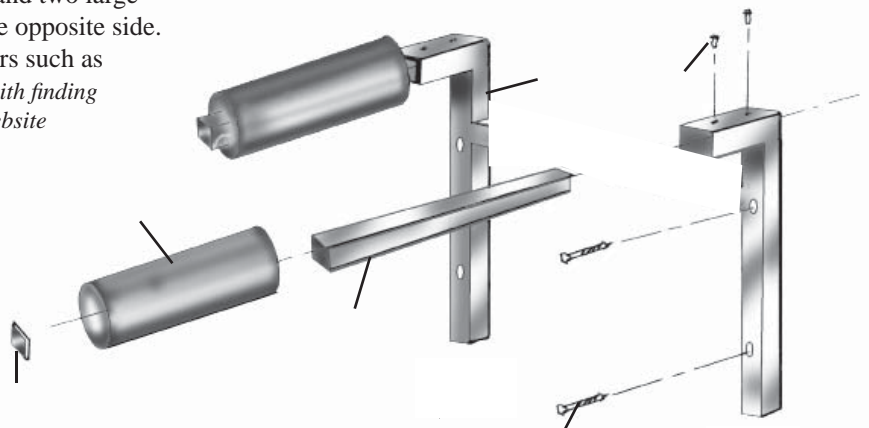
the Frame with the four lag screws and washers.

Use plenty of liquid soap and slip the Foam Protectors onto the Frame Arms. Insert the Frame Arms into the Frame and secure with the four Screws (4) as shown in Figure one.



Mounting the Doors

Roll down windows. Hang doors as shown in the picture above. Hang doors so that the doors inside panel faces each other. Mirrors may be left fully



Lange Originals
 3651 South 700 East
 Salt Lake City, UT 84106
 1-866-284-7428
www.langeoriginals.com