

# Quadratec® Spare Tire Mounted Bike Rack

Installation Manual: Designed for Jeep  
'76-'18 CJ, YJ, TJ & JK Wrangler Vehicles  
#92034.1005



**⚠ WARNING ⚠**

TO REDUCE RISK OF SERIOUS INJURY OR PROPERTY DAMAGE: READ ALL SAFETY MESSAGES AND UNDERSTAND ALL INSTRUCTIONS AND PROCEDURE NOTICES BEFORE ATTEMPTING TO INSTALL OR USE THIS PRODUCT. FOLLOW ALL INSTRUCTIONS AND WARNINGS WITH PRODUCT & VEHICLE OWNERS MANUAL.

**⚠ CAUTION ⚠**

RISK OF EYE INJURY! SAFETY GLASSES MUST BE WORN AT ALL TIMES WHILE INSTALLING OR MAINTAINING THIS PRODUCT. TORQUE AND RECHECK FASTENERS AFTER 250 MILES AND FREQUENTLY THEREAFTER. DO NOT USE IF DAMAGED.

**⚠ CAUTION ⚠**

MAKE CERTAIN BICYCLES ARE PROPERLY SECURED BEFORE DRIVING ON PUBLIC ROADS. FAILURE TO DO SO COULD CAUSE PROPERTY DAMAGE OR PERSONAL INJURY.



The Trusted Source

**A Few Words About Product Safety:**

Your Spare Tire Mount Bike Rack is intended to enhance the utility and enjoyment of your off road capable vehicle. Before installation, please take a moment to review the following safety

information and installation instructions. Important safety information is generally preceded by one of three signal words indicating the relative risk of injury. The signal words mean:

<b>⚠ WARNING ⚠</b>	a hazardous situation which, if not avoided, could result in death or serious injury. You CAN be KILLED or SERIOUSLY HURT if you don't follow instructions.
<b>⚠ CAUTION ⚠</b>	a hazardous situation which, if not avoided, could result in minor or moderate injury. You CAN be moderately HURT and also may suffer property damage if you don't follow instructions.
<b>NOTICE</b>	Careful attention is required to this instruction or operation but does generally not relate to personal injury. Damage to your Quadratec® product or other property may result if you don't follow instructions.

**Before You Begin Installation:**

*Congratulations on your purchase of Spare Tire Mount Bike Rack for Wrangler vehicles. When unpacking, check to make sure all parts are included and not damaged due to shipping.*

*Regarding Bike Rack Safety: Always check that the rack and bicycles are securely mounted on your vehicle. Failure to do so could cause property damage or personal injury.*

*If any part is missing or broken, please call Customer Service at 800-745-6037 as soon as possible.*

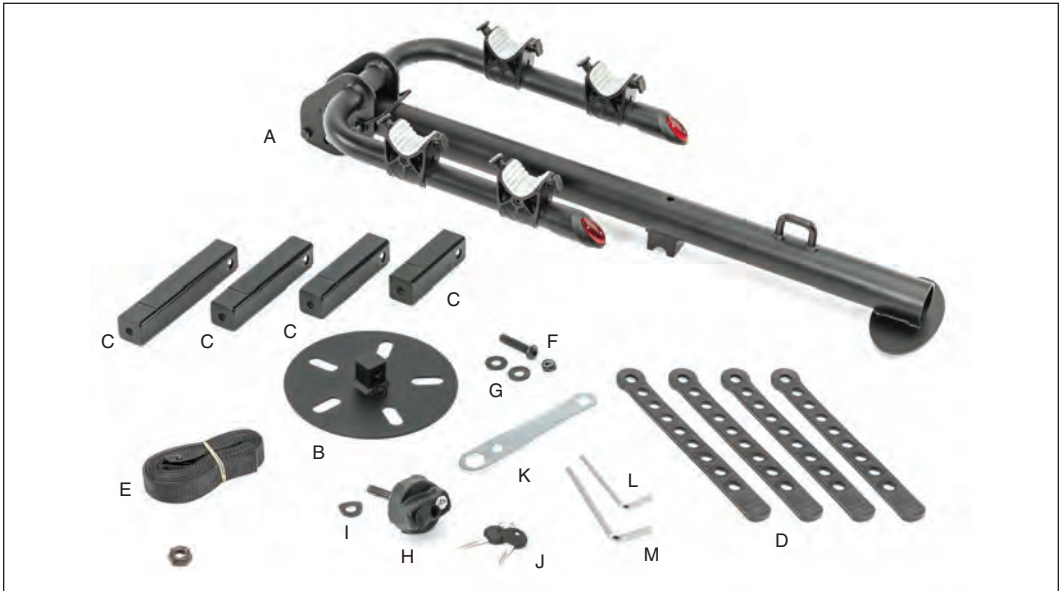
*Thank you again for your purchase and let's start the installation process.*

<b>⚠ CAUTION ⚠</b>	<b>TO REDUCE RISK OF SERIOUS INJURY OR PROPERTY DAMAGE: INSTALL ACCORDING TO INSTRUCTIONS. TORQUE AND RECHECK FASTENERS AFTER 250 MILES AND FREQUENTLY THEREAFTER. INSPECT AND DO NOT USE RECEIVER/RACK IF DAMAGED.</b>
<b>⚠ CAUTION ⚠</b>	<b>ALWAYS FOLLOW ALL SAFETY WARNINGS, CAUTIONS AND NOTICES IN THE INSTALLATION INSTRUCTIONS AND DOCUMENTATION THAT CAME WITH YOUR BIKE RACK. THIS DOCUMENT ONLY REFERS TO BIKE RACK ASSEMBLY AND INSTALLATION.</b>
<b>⚠ CAUTION ⚠</b>	<b>MAKE CERTAIN BICYCLES ARE PROPERLY SECURED BEFORE DRIVING ON PUBLIC ROADS. FAILURE TO DO SO COULD CAUSE PROPERTY DAMAGE OR PERSONAL INJURY.</b>



**The Trusted Source**

**Installation Hardware:**



**PARTS LIST:**

A) Main Rack Assembly	Qty 1
B) Mounting Base	Qty 1
C) Mounting Extensions (4 Lengths)	Qty 4
D) Rubber Retainer Straps	Qty 4
E) Webbed Retainer Strap	Qty 1
F) Button Head Bolt	Qty 1
G) Flat Washers	Qty 2
H) Threaded Knob With Lock	Qty 1
I) Curved Washer	Qty 1
J) Keys	Qty 2

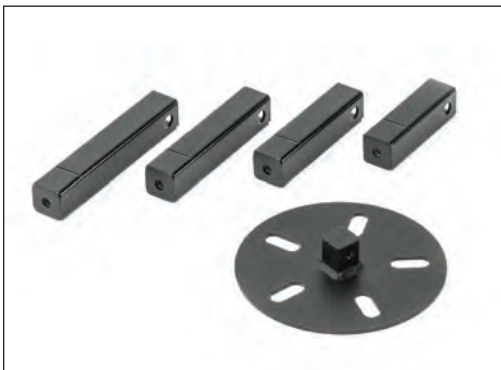
**SUPPLIED TOOLS:**

K) 9/16" Wrench	Qty 1
L) 7/32" Hex Wrench	Qty 1
M) 5mm Hex Wrench	Qty 1

**REQUIRED TOOLS:**

Safety Glasses  
 3/4" Socket And Driver or Lug Wrench

**Bike Rack Assembly:**



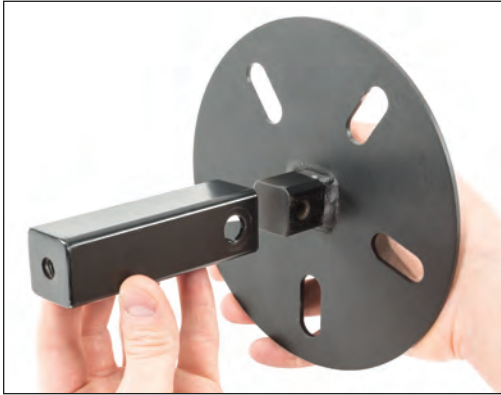
*Put on safety glasses. Locate and select the appropriate mounting extension. There are three extension lengths provided to accommodate different size tires and wheels.*

*The shortest extension is appropriate for most original equipment wheels. Larger aftermarket wheels and tires will require one of the larger extensions.*



**The Trusted Source**

**Bike Rack Assembly:**



*Locate the mounting plate and place the extension over the boss on the mounting plate making sure to align the holes as shown. There should be two oval slots at the top of the plate and one facing the bottom.*



*Using a 7/32" hex wrench thread the button head bolt and a flat washer through the extension and into the mounting plate. Snug the bolt with the hex key.*



*Install a flat washer and nylock nut onto the other end of the bolt and tighten it with a 9/16 wrench while holding the bolt with a hex key.*



*Position the Bike cradles vertically on the upper arm as shown and snug the Allen bolts with the supplied 5mm Hex wrench. Final adjustment of the bike cradles can be made later when the rack is installed.*



**The Trusted Source**

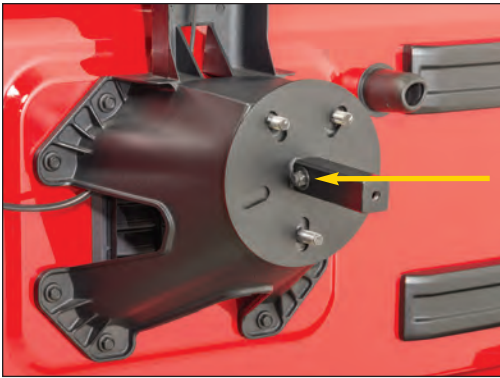
## **Bike Rack Assembly & Installation:**



*Install the round end of the rubber retaining straps by pulling them over the square retaining tabs on the cradles.*



*Start by removing the vehicle's spare tire with a 3/4" socket and drive or the appropriate lug wrench.*



*Install the assembled mounting plate and extension on to the spare tire mounting studs as shown. Make sure that the button head bolt on the mounting plate and extension is parallel to the ground.*

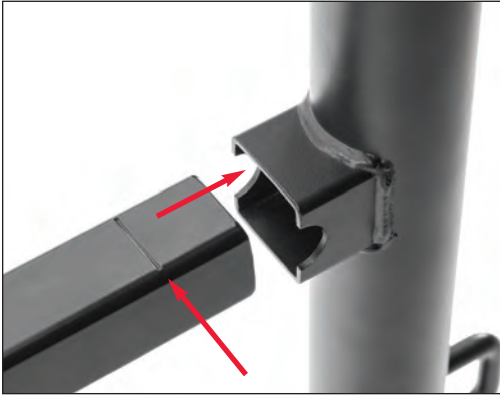


*Remove the center cap from your spare tire and remount it on the spare tire carrier so that the Bike rack mounting plate is sandwiched between the spare tire and the tire mount. The Bike rack mounting extension should be protruding through the wheel.*



**The Trusted Source**

**Bike Rack Installation:**



*Install the main rack assembly over the mounting extension. Make sure that the extension is inserted into the main rack at least to the marked line (or further) to ensure proper engagement.*



*Secure it with the threaded knob. Tighten the knob until the bike rack is in contact pressing on the spare tire. If the knob stops turning before rack is pressing firmly on the tire, a shorter mounting extension should be used.*



*The threaded knob has a built in keyed lock that prevents the knob from being loosened and works as an anti-theft feature.*



*Remove the retention clip and retaining pin from the upper hinge and swing the rack arms into position.*



**The Trusted Source**

**Bike Rack Installation:**



*Reinstall the pin and retention clip into the lower hole. Place the bike into the cradles as shown. (The position of the cradles can be adjusted using the provided 5mm hex wrench as shown previously in the assembly portion.)*



*Pull the rubber retaining straps over the frame of the bike and secure it on the rectangular hook.*



*Thread the provided safety strap through the loop on the front of the vertical arm of the rack.*



*Continue the thread the strap through both wheels and secure it using the buckle.*



**The Trusted Source**

# Quadratec® Exclusive Three Year Limited Warranty

Your Quadratec® branded accessories are covered by the following **Limited Warranty** provided exclusively by Quadratec, Inc., 1028 Saunders Lane, West Chester PA 19380.

This **Limited Warranty** is the only warranty made in connection with your purchase. Quadratec neither assumes nor authorizes any vendor, retailer or other person or entity to assume for it any other obligation or liability in connection with this product or **Limited Warranty**. This **Limited Warranty** does not apply and is not cumulative to any accessory or part distributed by Quadratec for which the Manufacturer provides a separate written warranty.

**What is Covered:** Subject to the terms, exclusions and limitations herein and with respect only to Quadratec branded accessories first sold in the United States, Quadratec warrants to the initial retail purchaser only that your Quadratec accessory shall be free of defects in material and workmanship: **for a period of three (3) years from date of retail purchase.**

This **Limited Warranty** is not assignable and shall terminate upon sale of the vehicle upon which the Quadratec accessory is installed or other transfer third persons.

All other warranties are hereby disclaimed, except to the extent prohibited by applicable law in which case any implied warranty of merchantability or fitness for a particular purpose on this product is limited to 3 year from date of initial retail sale. Quadratec reserves the rights to: (a.) require invoice or other proof your accessory is within the terms of this **Limited Warranty** as a condition of warranty service and, (b.) make future revisions to this product and **Limited Warranty** without prior notice or obligation to upgrade your product.

**What is Not Covered:**  
Your Quadratec **Limited Warranty** does not cover products or parts Quadratec determines to have been damaged by or subjected to:

(a.) installation damage, alteration, modification, combination with other parts, failure to maintain or improper repair or service, (b.) normal wear & tear, cosmetic damage or damage from moisture or water immersion, (c.) Acts of God, accidents, misuse, negligence, inadequate mounting or impact with vehicle(s), obstacles or other aspects of the environment, (d.) theft, vandalism or other intentional damage.

**Remedy Limited to Repair/Replacement:**  
The exclusive remedy provided hereunder shall, upon Quadratec inspection and at Quadratec's option, be either repair or replacement of product or parts (new or refurbished) covered under this **Limited Warranty**. Customers requesting warranty consideration should first contact Quadratec to obtain a RGA number (610-701-3336). All labor, removal, shipping and installation costs are customer's responsibility.

#### **Other Limitations - Exclusion of Damages - Your Rights Under State Law:**

In consideration of the purchase price paid, neither Quadratec nor any independent Quadratec distributor/licensee are responsible for any time loss, rental costs, or for any incidental, consequential, punitive or other damages you may have or incur in connection with any part or product purchased. Your exclusive remedy hereunder for covered parts is repair/replacement as described above.

This **Limited Warranty** gives you specific rights. You may also have other rights that vary from state to state. For example, some states do not allow limitations of how long an implied warranty lasts and /or do not allow the exclusion or limitation of incidental or consequential damages, so the limitations and exclusions herein may not apply to you.

©Quadratec, Inc. 2018. All Rights Reserved.  
4.18.18 A4 Version

Part #12999.3101



**The Trusted Source**