

TERAFLEX

PRODUCT INSTALLATION GUIDE

JK BIG BRAKE KIT

Part # 4303400

Part # 4303420



Important Notes:

Prior to beginning this or any installation read these instructions to familiarize yourself with the required steps and evaluate if you are experienced and capable to personally perform these modifications.

Refer to the parts list to ensure that all necessary components and hardware have been included. If any parts are missing please contact your local retailer for assistance.

Tools Needed:
 10,14,15,17,18,21mm sockets & wrenches
 3/8" or 1/2" ratchets
 Torque wrench
 Diagonal cutting pliers
 Brake clean
 Brake fluid (DOT 3)
 Mechanics wire
 Blue thread locker
 Jack and Jack stands

Component item ID	Item name	Part #4303400 QTY per asy.
303430	Brake pad set, 2 pads & clips	2
4303416	Brake Caliper	2
4303410	Brake rotor	2

Component item ID	Item name	Part #4303420 QTY per asy.
303430	Brake pad set, 2 pads & clips	2
4303416	Brake Caliper	2
4303512	Brake rotor Slotted	2

TeraFlex, Inc.
 5241 South Commerce Dr.
 Murray, Utah 84107
 Phone/801.288.2585
 Fax/801.713.2313
 www.teraflex.biz

Installation:

1. Place the vehicle in park and pull the park brake.
2. Loosen the lug nuts, using an 18mm socket, on the front two wheels. **DO NOT REMOVE THE LUG NUTS!**



3. Jack up the front of the vehicle and support with jack stands.
4. Remove the lug nuts and the front wheels.
5. Using a 21mm socket remove the two caliper anchor bolts and remove the caliper. Support the caliper so it does not hang from the brake line. This can damage the brake line.
6. If there are clips holding on your rotor remove



- them by cutting them off with diagonal cutting pliers. Then remove the rotor.
7. Install the new rotor. Hold the rotor in place by



- using a couple of lug nuts.
8. Install the new TeraFlex caliper using the



factory hardware. Torque the anchor bracket bolts to 120 Ft-lbs and use blue thread locker.



9. Install the brake pads into the caliper by removing the lower pin bolt using a 14mm socket. If the bolt rotates the inside pin use a 17mm wrench to hold it. Remove the adhesive strip from the pad. Make sure that the clips are on the ends of the pads and slide them end from the outside into the anchor bracket.



10. Lower the caliper and insert the caliper pin bolt. Torque to 26 ft-lbs.

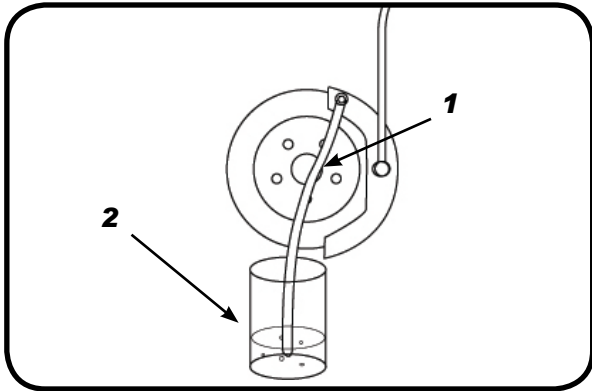


11. Remove the brake line from the old caliper and reuse all of the factory hardware and install it into the new TeraFlex caliper. Torque the banjo bolt to 23 Ft-lbs.



12. Clean brake caliper and rotor using brake clean and a rag. Make sure that all of the shipping oil or brake fluid is cleaned from the stopping surface.

13. Remove reservoir filler cap and fill up reservoir with DOT 3 brake fluid.
14. You will need two people for this unless you have a brake bleeder tool. Attach one end of the bleed hose (1) to bleeder and insert opposite end in glass container (2) partially filled with brake fluid. Be sure end of bleed hose is immersed in fluid. Bleed procedure should be in this order (1) Right rear (2) Left rear (3) Right front (4) Left front.



15. Open up the bleeder, then have a helper press down the brake pedal. Once the pedal is down close the bleeder. Repeat bleeding until fluid stream is clear and free of bubbles. Then move to the next wheel.
16. Before moving the vehicle verify the pedal is firm and not mushy.
17. Top off brake fluid and install the reservoir cap.
18. Remove the lug nuts that you used to hold the rotor in place.
19. Install the wheels using a 18mm socket and torque them to 85-125 Ft-lbs.
20. Jack up the vehicle and remove the jack stands and lower the vehicle.

BRAKE BED-IN PROCEDURE

To correctly break in your brakes you will need to follow these crucial steps.

All brake pads must be bedded-in with the rotor they will be used against to maximize brake performance. The bedding-in process involves a gradual build up of heat in the rotors and pad compound. This process will lay down a thin layer of transfer film on to the rotor surface. Following the bed-in procedures provided will assure a smooth, even layer of transfer film on the rotor and will minimize brake judder, noise and vibration.

21. Do 10 stops from 30mph to 10mph using moderate braking pressure and allowing approximately 30 seconds between stops for cooling. Do not drag your pads during these stops or come to a complete stop. After the 10th stop, allow the brakes to cool for 15 minutes. Do not engage brakes while the vehicle is not in motion.
22. Now do 5 stops from 60mph to 15mph and drive for 1/2 mile in between stops. Then let brakes cool for 30 minutes.
23. After brakes are cooled, the break in procedure is complete. The brakes will be completely bed-in after 400 to 500 miles. Try to avoid heavy braking during this period and do not tow a trailer until the 500 mile break in is complete.



PRODUCT INFORMATION & WARRANTY

MAINTENANCE INFORMATION:

It is the buyer's responsibility to have all suspension, drivetrain, steering, and other components checked for proper tightness and torque after the first 100 miles and every 3000 miles after that.

NOTICE TO INSTALLER:

The enclosed "Warning to Driver" sticker must be installed in the vehicle in driver's view. This sticker is to act as a constant safety reminder when operating the vehicle. It is your responsibility as the equipment installer to install the provided sticker and to forward the product instructions to the vehicle's owner for review. If a "Warning to Driver" sticker or product installation guide were not included in the kit, free replacement stickers and instructions are available by request. It is the installer's duty to ensure a safe and controllable vehicle after the modifications have been performed.

WARNING:

Neither the seller nor the manufacturer will be liable for any loss, damage, or injury directly or indirectly arising from the use of or inability to determine the use of these products. Before using, the user shall determine the suitability of the products for its intended use, and the user shall assume all responsibility and risk in connection therewith.

WARNING TO DRIVER:

This vehicle has been modified to enhance off road performance and has unique handling characteristics. Because of the higher center of gravity and larger tires, this vehicle handles and reacts differently than many passenger cars, both on and off road. You must drive it safely! Extreme care should be taken to prevent vehicle rollover or loss of control, which can result in serious injury or death. Avoid sudden sharp turns or abrupt maneuvers. Generally, braking performance and capabilities are decreased when significantly larger/heavier tires are used, especially when used in combination with transfer case low-range reduction kits. Take this into consideration while driving. Do not add, alter or fabricate any factory or aftermarket parts to increase vehicle height over the intended height of the TeraFlex Inc. product purchased. Mixing component brand is not recommended. TeraFlex Inc. will not be responsible for any altered product or any improper installation or use of our products. We will be happy to answer any questions concerning the design, function, and correct use of our products. It is ultimately the buyer's responsibility to have all bolts/nuts checked for tightness after the first 100 miles and then every 3000 miles after that. Wheel alignment, steering system, suspension and drive line systems must be inspected by a qualified professional mechanic at least every 3000 miles.

TERAFLEX PRODUCT WARRANTY:

TeraFlex Inc. warrants TeraFlex Suspension products to the original retail purchaser to be free of defects in material and workmanship for as long as the original purchaser owns the vehicle on which products were originally installed.

Failure to complete regular maintenance (grease every 3000 miles) on TeraFlex FlexArms will void this warranty. All other conditions of the standard TeraFlex Inc. product warranty apply.

All TeraLow products are covered by the TeraFlex Inc. two-year warranty to be free of defects in material and workmanship for two years from date purchased.

TeraFlex axles are covered by the TeraFlex Inc. 12-month warranty to be free of defects in materials and workmanship.

This warranty does not cover or include product finish, improperly installed or applied products, improperly maintained products, products or components used for racing or competition or damage due to abuse or neglect, products that fail due to the use of larger tire and wheel combinations.

All returns must be accompanied by an original invoice. It is the customer's responsibility to remove the product from the vehicle. Shipping charges are the responsibility of the customer. TeraFlex Inc. will pay the return freight.

This warranty is for the replacement or repair of defective TeraFlex products only and does not include freight charges, labor charges for removal of or installation of TeraFlex or related products or components, costs incurred due to down time of the vehicle, or lost profits due to vehicle down time.

A returned goods authorization number (RGA#) must accompany any returned products. For more information please contact a TeraFlex customer service representative.

COPYRIGHT

©Copyright 2008. All rights reserved, TeraFlex Inc. Reproduction of this catalog and/or any of its contents without written permission is strictly prohibited.

TeraFlex® is a registered trademark of TeraFlex Inc. All trade names and logos including but not limited to TeraFlex, FlexArms, RockGuard, Monster, and LCG are protected by law and duplication of trade names and/or logos are strictly prohibited.

TeraFlex Inc. reserves the right to update, discontinue, redesign, modify finish, part number or component build parts if deemed necessary without written notice. TeraFlex Inc., and any associated dealers are not responsible for misprints or typographical errors that may have inadvertently been made within this instruction sheet.

Jeep® and the Jeep® grill are registered trademarks of Chrysler LLC, and have no affiliation with TeraFlex Inc.

TeraFlex, Inc. 5241 South Commerce Dr. Murray, Utah 84107
Phone/801.288.2585 Fax/801.713.2313 www.teraflex.biz